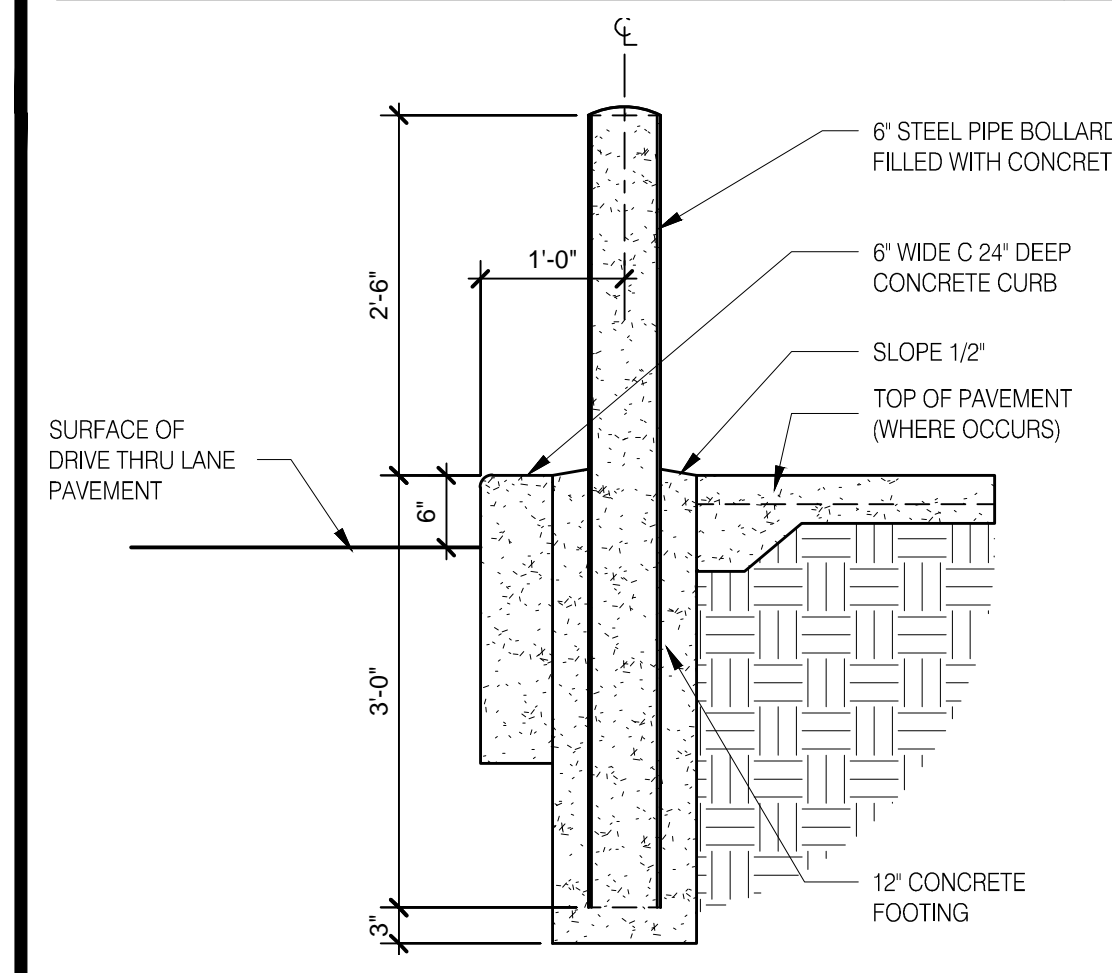


CANOPY AND SPEAKER FOOTING N.T.S. 9



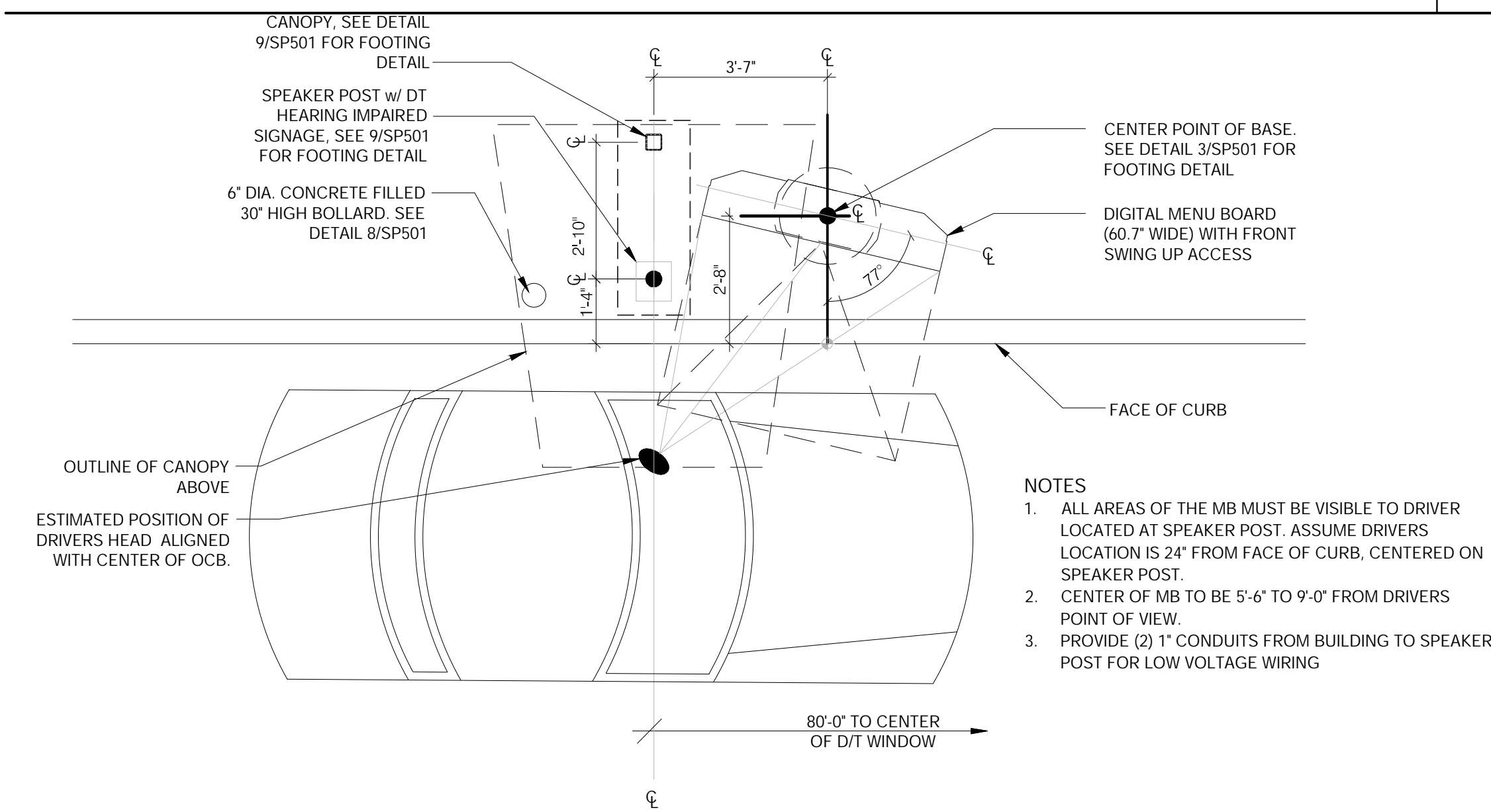
BOLLARD AT DRIVE THROUGH N.T.S. 8

- SOW FOR DMB INSTALL AND VENDORS**
- RSCS TO SUPPLY DMB AND CABLE
 - SIGN VENDOR TO SUPPLY ANCHOR BOLTS AND BOLT PATTERN TO GC.
 - SITE SURVEY - SIGN VENDOR
- NEW BUILD**
- TRENCHING/ CONDUIT- GC
 - FORMING/ FOUNDATION/ ANCHOR BOLTS - GC
 - DMB INSTALL - SIGN VENDOR
 - DMB CABLE PULL - SIGN VENDOR
 - DMB FINAL CONNECTION AND SYSTEM CHECK - SIGN VENDOR
 - ELECTRICAL - PULL BY GC - DEDICATED CIRCUIT
- REMODEL (SUCCESSOR MANDATORY - MIDTERM OPTIONAL FOR FZ)**
- EXISTING FOOTING (SKIP TO STEP 4) - SIGN VENDOR
 - TRENCHING/ CONDUIT - SIGN VENDOR
 - FORMING/ FOUNDATION/ ANCHOR-BOLTS (SKIP TO STEP 5) - SIGN VENDOR
 - ANCHOR BOLTS - SIGN VENDOR
 - DIGITAL MD INSTALL - SIGN VENDOR
 - DMB CABLE PULL - SIGN VENDOR
 - DMB FINAL CONNECTION AND SYSTEM CHECK - SIGN VENDOR

- JUST DMB INSTALL**
- PERMITTING - SIGN VENDOR
 - EXISTING FOOTING (SKIP TO STEP 4) - SIGN VENDOR
 - TRENCHING/ CONDUIT - SIGN VENDOR
 - FORMING/ FOUNDATION/ ANCHOR-BOLTS (SKIP TO STEP 5) - SIGN VENDOR
 - ANCHOR BOLTS - SIGN VENDOR
 - DIGITAL MD INSTALL - SIGN VENDOR
 - DMB CABLE PULL - SIGN VENDOR
 - DMB FINAL CONNECTION AND SYSTEM CHECK - SIGN VENDOR

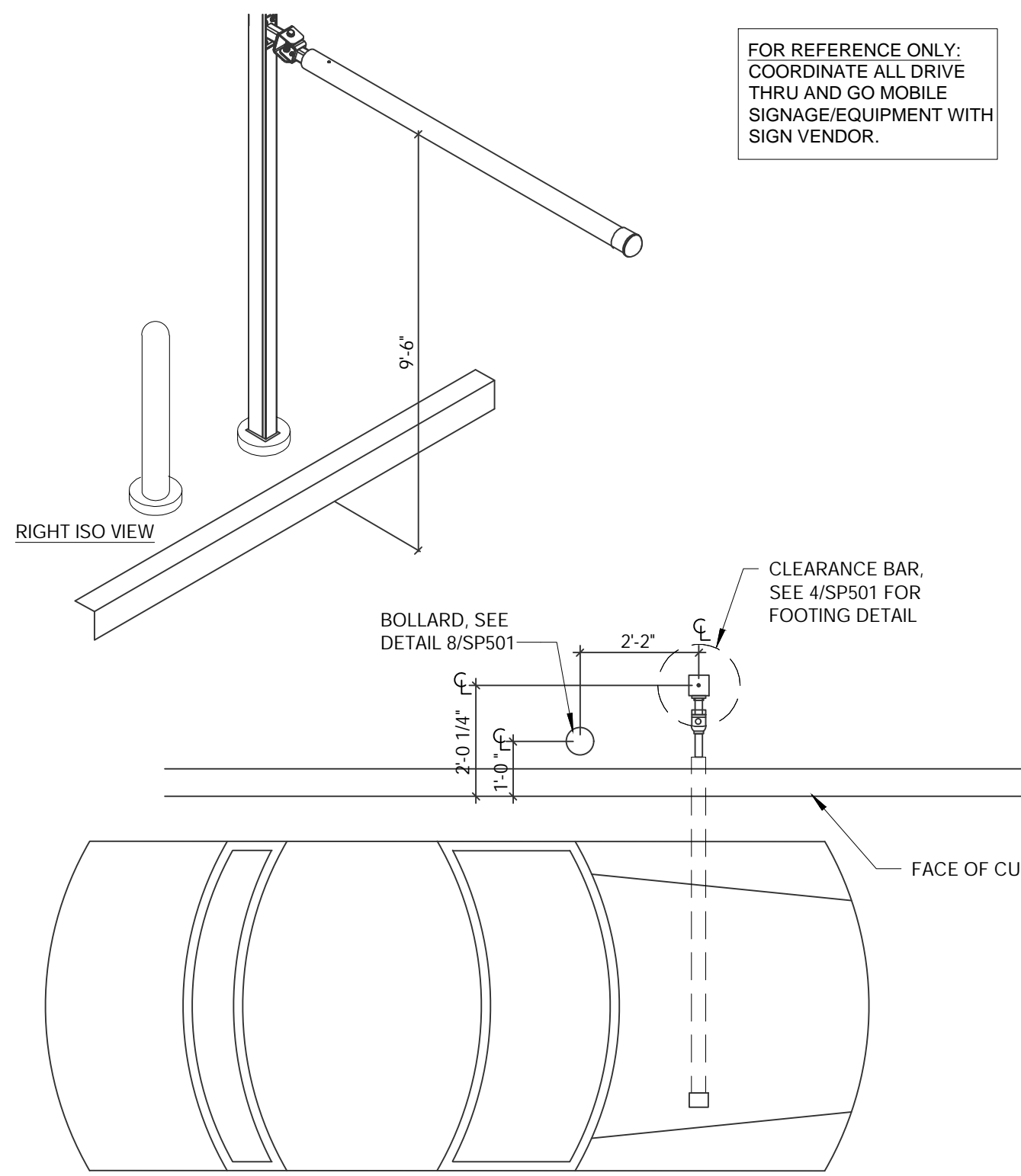
	REMODEL	NEW BUILDING	RETROFIT
FOUNDATION IS FURTHER THAN 8'	RECOMMEND NEW FOUNDATION WORK FOUNDATION PERFORMED BY GC	N/A	RECOMMEND NEW FOUNDATION WORK PERFORMED BY GC
USING EXISTING FOUNDATION (ALTHOUGH NOT RECOMMENDED)	-	N/A	-
INTEGRATED CANOPY EXISTS	-	N/A	-
BOLLARDS NEEDED - DO NOT PLACE IN FRONT OF MENUBOARD	WORK PERFORMED BY SIGNAGE INSTALLER	WORK PERFORMED BY SIGNAGE INSTALLER	WORK PERFORMED BY SIGNAGE INSTALLER

MENU BOARD SOW 1

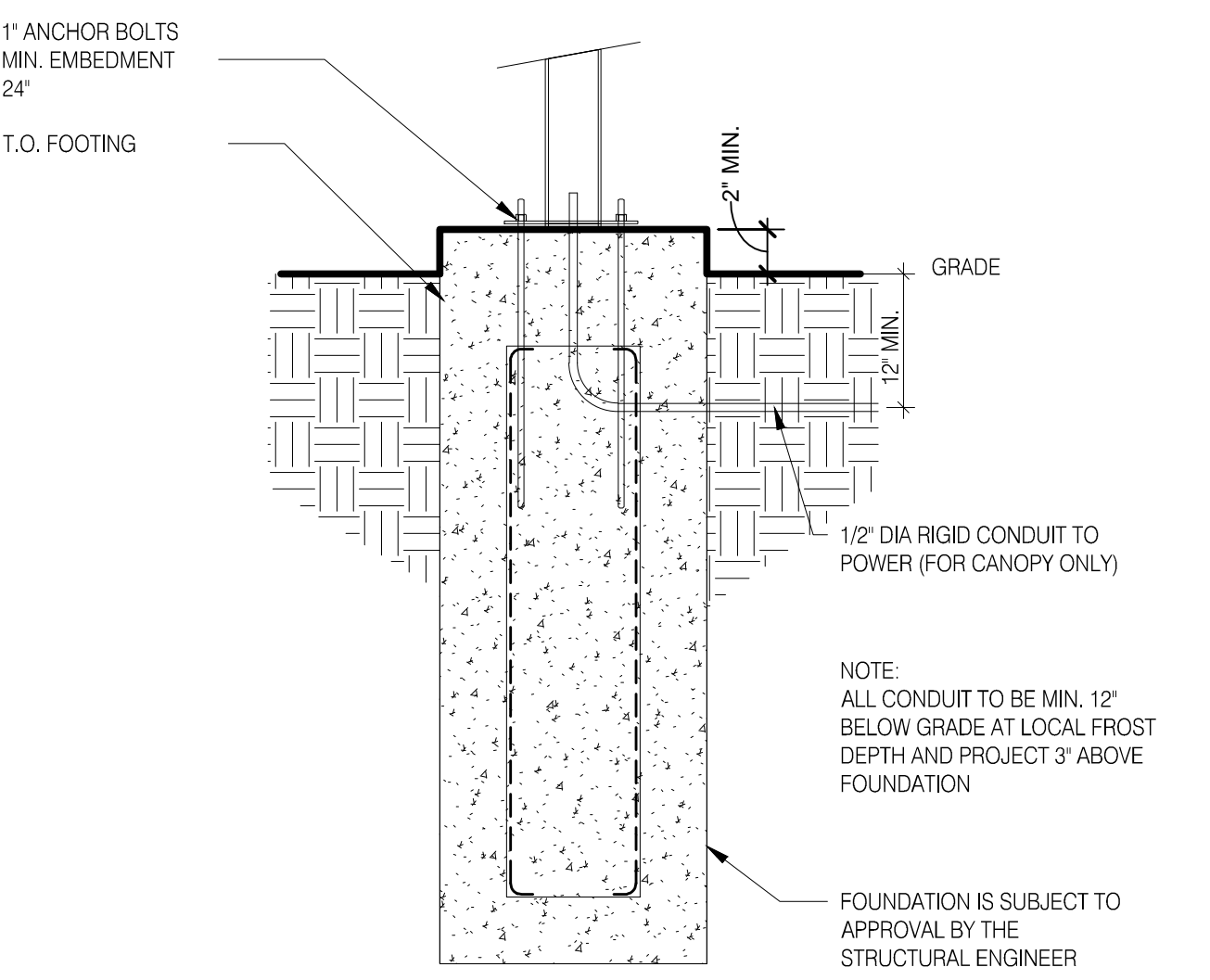
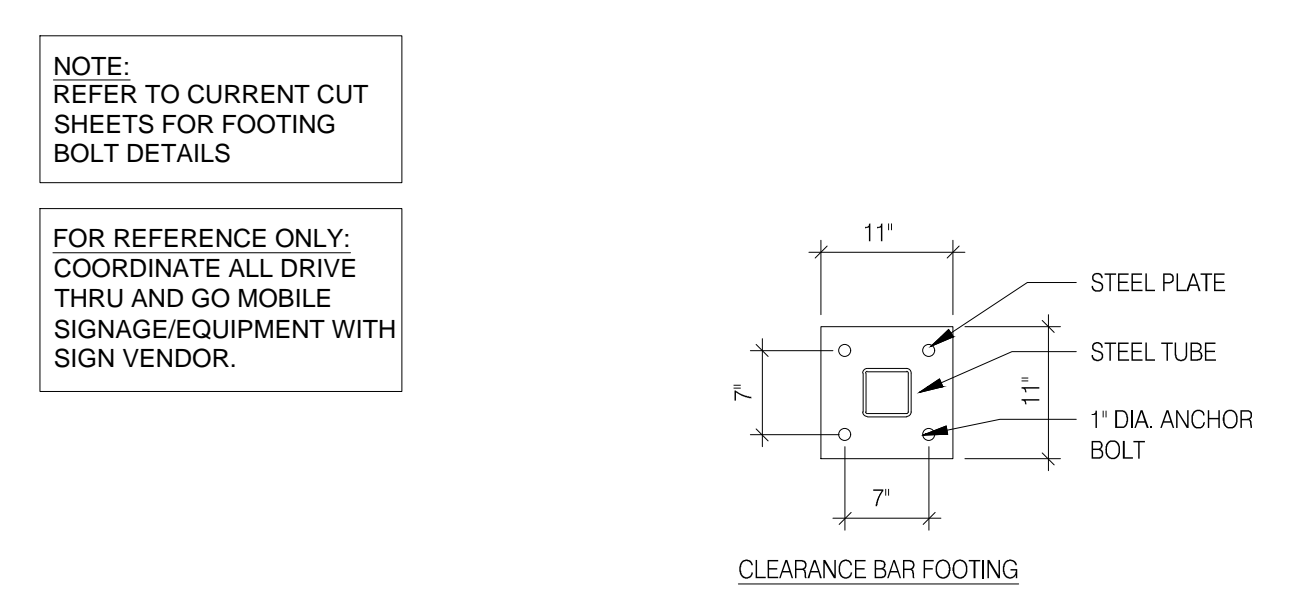


ENLARGED MENU BOARD DETAIL @ STRAIGHT CURB 3/8" = 1'-0" 2

NOT USED N.T.S. 6



PORTAL PLACEMENT DETAIL N.T.S. 5



CLEARANCE BAR FOOTING N.T.S. 4

FOR REFERENCE ONLY: COORDINATE ALL DRIVE THRU AND GO MOBILE SIGNAGE/EQUIPMENT WITH SIGN VENDOR.

NOTE: BOLT PATTERN PROVIDED AS EXAMPLE - OBTAIN ANCHOR BOLT TEMPLATE FROM SUPPLIER

CONDUIT SCHEDULE		
DEVICE	POWER	DATA
DIRECTIONAL	(1) 3/4"	-
SPEAKER POST	(1) 1"	(1) 1"
MENU BOARD	(1) 1"	(2) 1"
PREVIEW BOARD	(1) 1"	(2) 1"

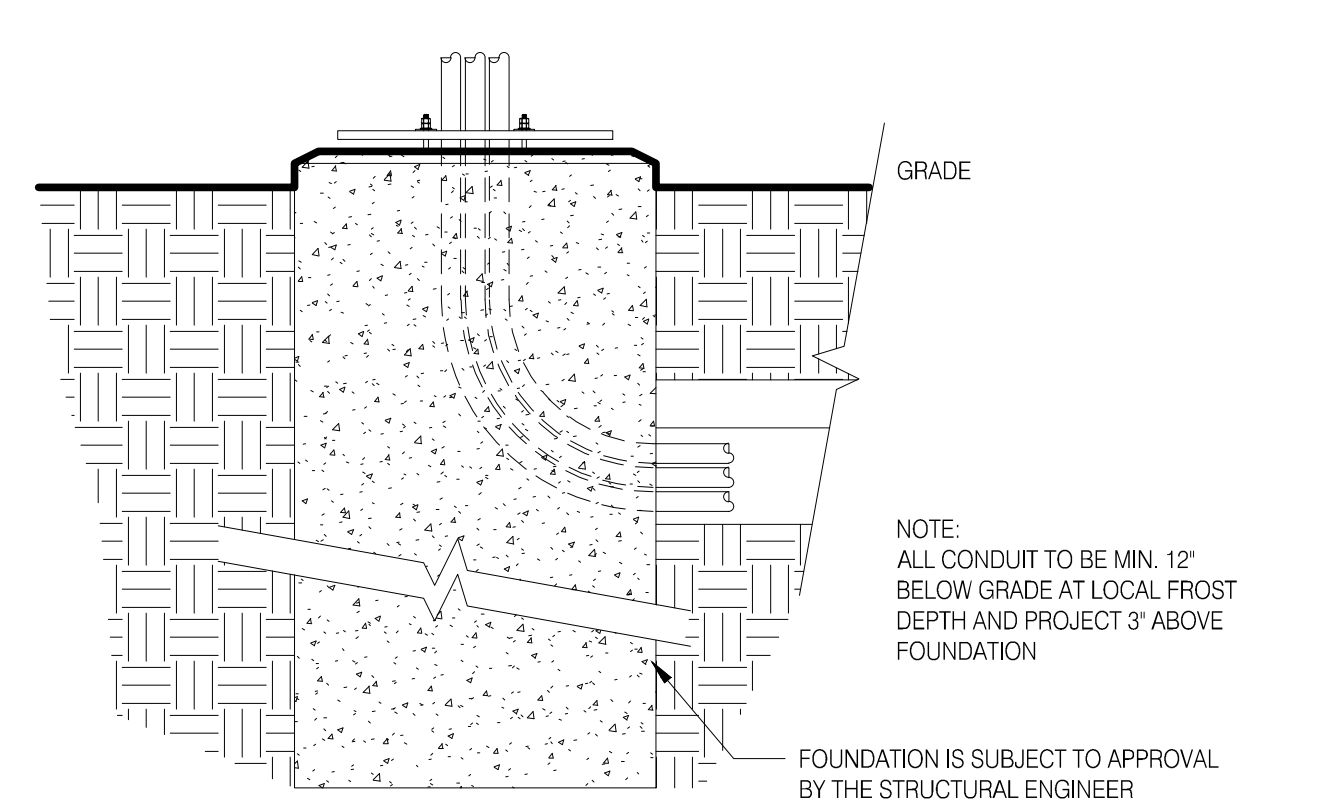
OPTIONAL →

MENU BOARD	(3) CAT 6
PREVIEW BOARD	(2) CAT 6
SPEAKER POST	(1) CAT 6

(3) 1" CONDUITS

ANCHOR PLATE

PREFERRED 8"x8" ANCHOR PATTERN IS SUBJECT TO APPROVAL BY THE STRUCTURAL ENGINEER



MENU FOUNDATION N.T.S. 3

NOT USED N.T.S. 7

MATTHEW F. CORTEZ, AIA
1525 E. Douglas, Wichita, KS 67211
Tel: (316) 265-9367
www.gfmv.com



PROFESSIONAL CERTIFICATION: I CERTIFY THAT THESE DOCUMENTS WERE PREPARED OR APPROVED BY ME, AND THAT I AM DULY LICENSED ARCHITECT UNDER THE LAWS OF THE STATE OF MARYLAND, LICENSE NO. 20906, EXPIRATION DATE 10.21.2023.

22772R22011

CONTRACT DATE: 03.23.2023
BUILDING TYPE: TYPE-M
PLAN VERSION: -
BRAND DESIGNER: XXXXX
SITE NUMBER: XXXXX
STORE NUMBER: 39978

TACO BELL
26045 POINT LOOKOUT RD
LEONARDTOWN, MD

SUCCESSOR PROTOTYPE
DRIVE THRU EQUIPMENT
SITE DETAILS

SP501